

Data Sheet

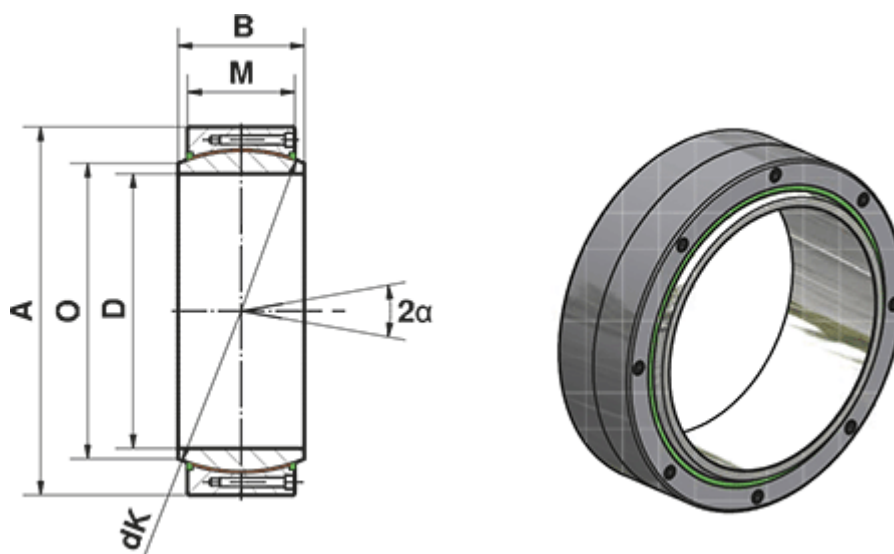


Article number: 03448380

Description: Fluro Heavy Duty Spherical Plain Bearing GE 380 CW-2RS
Hole \varnothing 380

Note: 380

Measures



A	= 520	Static load C0 (kN) = 30980
a (degrees)	= 4.1	Weight (g) = 124.5
B	= 190	
D	= 380	
dK	= 450	
Dynamic load C (kN)	= 18590	
M	= 160	
O	= 407.9	